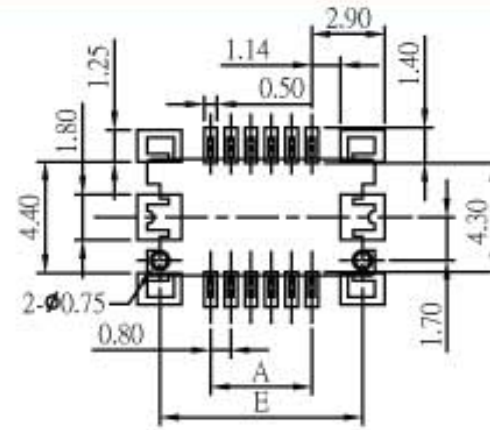
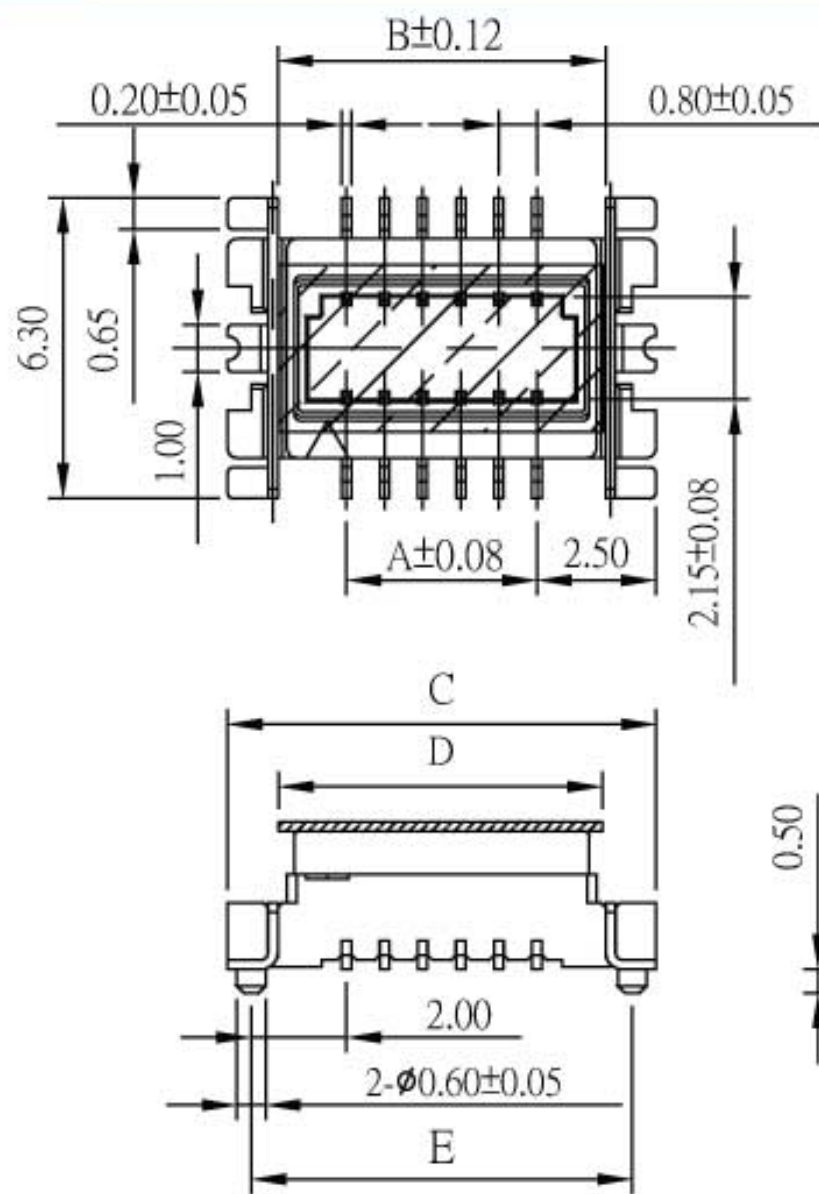
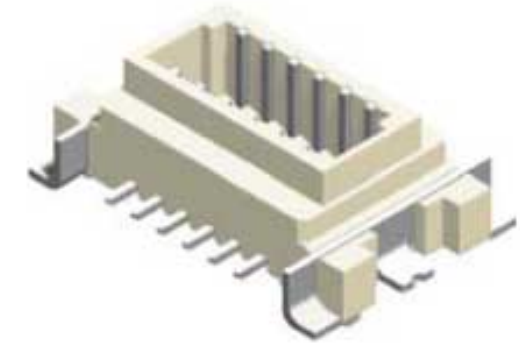
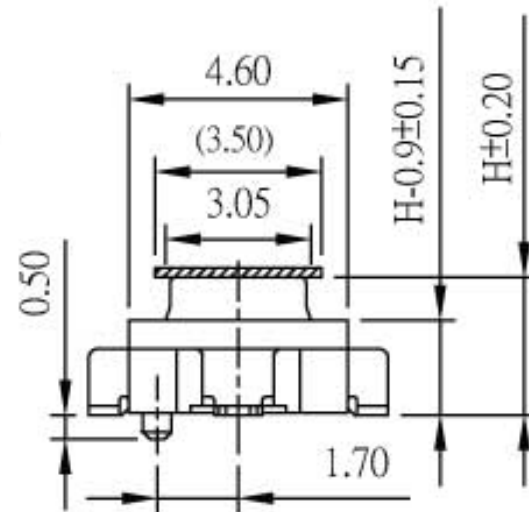


Board To Board Female 0.8mm H=2.9/3.6mm



Recommended PCB Layout
(PCB TOLERANCE ± 0.05)



No. of Contacts	Dim. A	Dim. B	Dim. C	Dim. D
10	4.74	3.20	8.20	7.20
12	5.54	4.00	9.00	8.00
14	6.34	4.80	9.80	8.80
16	7.14	5.60	10.60	9.60
20	8.74	7.20	12.20	11.20
30	12.74	11.20	16.20	15.20